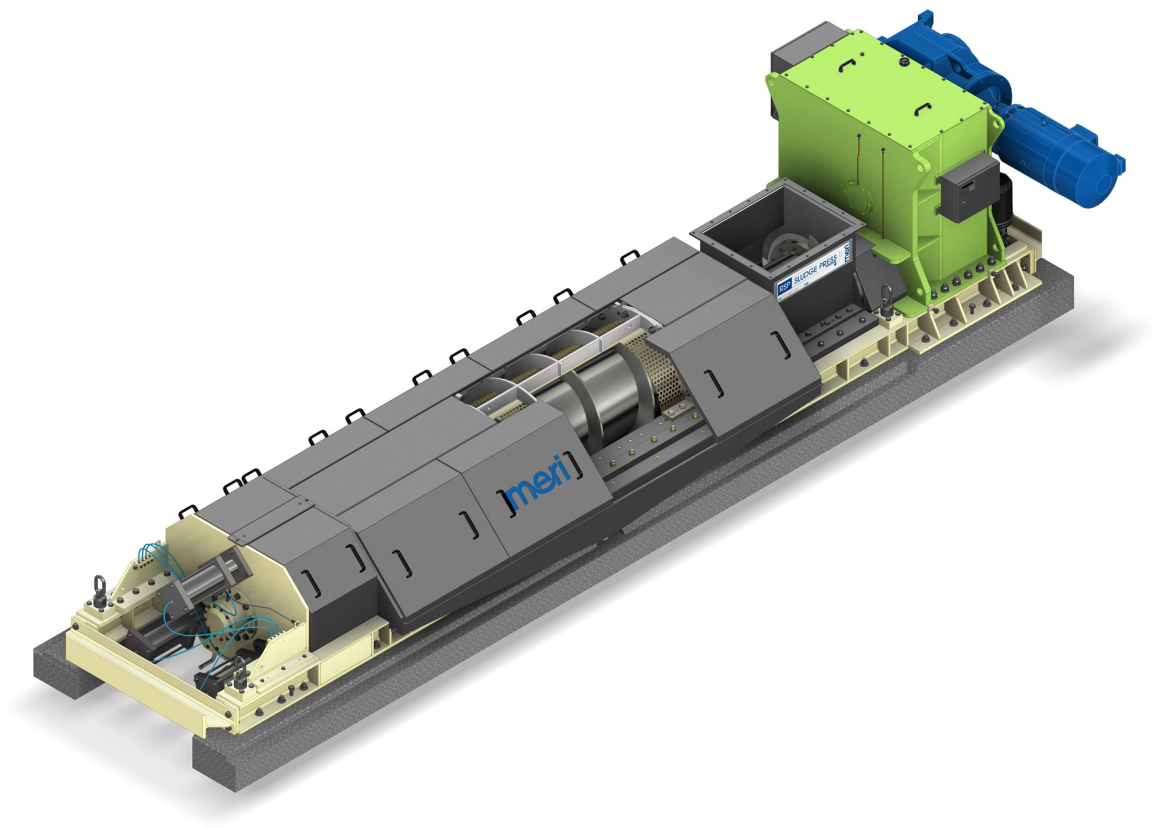


# RSP Screw Press

Advanced Sludge Dewatering Solution for Paper Mills



# RSP Screw Press

Advanced Sludge Dewatering Solution for Paper Mills

## Technology

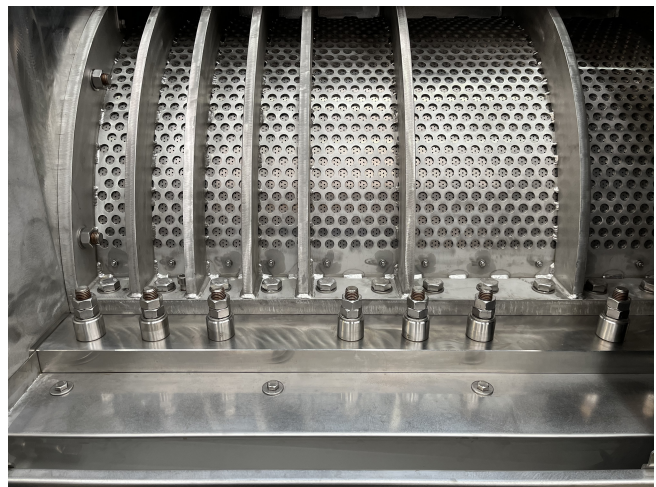
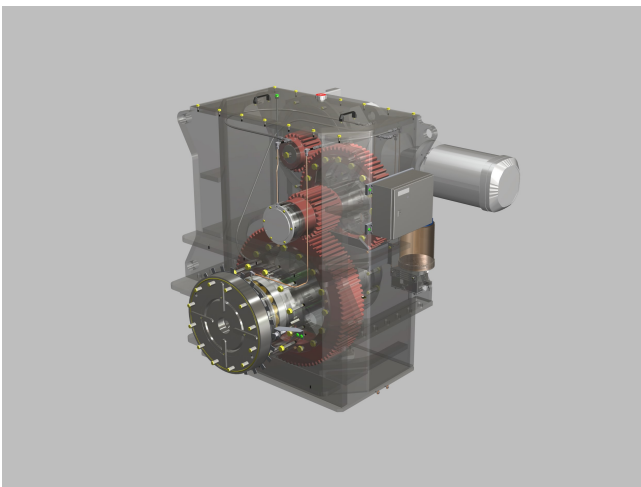
The RSP Screw Press utilizes advanced dewatering technology to efficiently handle sludge from paper production processes. It operates with a screw press mechanism enhanced with a pneumatic counter-pressure system, ensuring high dryness and stable output consistency of the sludge. The sludge is initially dewatered by gravity in the feed section. It is compressed as it progresses through the tapered press screw, which decreases additionally the flight pitch. A unique screen plate at the end of the screw shaft facilitates additional water drainage. Torque control automatically adjusts the screw speed based on counter pressure on sludge consistency, optimizing performance for varied sludge compositions and enhancing energy efficiency.

## Features

- High dryness achieved through a specialized screw geometry combined with a counter-pressure system.
- Various screen hole sizes for adaptability across different sludge characteristics.
- Sturdy press design enables high pressure for maximized outlet consistency.
- Heavy-duty frame and “wear-shoes” for extended machine life.
- Modular covers for easy access and maintenance of dewatering screens.
- Cost-effective screen wear plate replacement due to modular, half-screen construction.

## Why to buy

- Delivers rapid ROI by achieving high sludge dryness (55–65%), reducing disposal and handling costs.
- Minimal maintenance with bolted, easily replaceable, wear-resistant shoes and screen segments.
- High operational availability with easy controls and automated torque adjustment.
- High throughput capacities available, up to 150 bdt/day per machine.
- Wide application ranges for different sludge types.



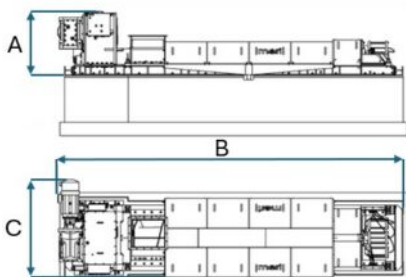
## Typical & Proven Process

- Dewatering of thickened Sludge & Reject mixtures
  - from Dewatering of pre-thickened sludge and fibrous residuals:
  - From LC-Cleaning and Fine Screening.
  - With or without defined content of bio-sludge from effluent treatment.
  - From water clarification (DAF units, primary clarifiers, etc.).
  - From De-Inking plants.
  - From stock De-Ashing / Washing.

## See the following Products as well

- Sludge/Reject Pre-Dewatering by ELEPHANT
- BlueDrain Belt Thickener
- COMPAX CFX-F 50,60 & 80
- MINIPRESS MPX 30, 40 & 50
- MSC- Spiral conveyors and related bunker- & container filling- & distribution systems
- POLYMERI Polymer Preparation Unit

## Specifications



	RSP 65	RSP 80	RSP 115
Screw diameter [mm]	650	800	1150
Height (A) [mm]	1120	1500	2140
Length (B) [mm]	7680	7690	9230
Width (C) [mm]	1580	2190	3 090
Power [kW]	22	30	75
Dryness	Up to 65%		

**Meri Environmental Solutions GmbH**

Bodenseestr. 113  
81243 Munich, Germany  
Tel. +49 89 59 33 44  
info@meri.de

**Voith Meri Environmental Solutions, Inc.**

2620 E. Glendale Avenue  
P.O. Box 1262  
Appleton WI 54911-1262, USA  
Tel. +1 920 734-8485  
info@meriusa.com

**Meri Sistemas e Tecnologia Ltda.**

R. Friedrich von Voith, 825  
São Paulo – SP – 02995-000, Brasil  
Tel. +55 11 3944-6644  
meribrasil@meribrasil.com.br

**Meri Environmental Technology  
(Kunshan) Co., Ltd.**

Room 203, No.5, Qinghua Tuspark  
Zuchongzhi Road 1666  
Kunshan, Jiangsu PRC, China  
Tel. +86 51 28 68 90 834  
info@meri.cn

[www.meri.de](http://www.meri.de)



**Note:** All product-related data and information in this publication shall serve for information purposes only. They shall not be interpreted or intended to represent any kind of warranty or guarantee. The only legally binding statements are those contained solely within our quotations. Errors and omissions excepted. Technical data are subject to change.